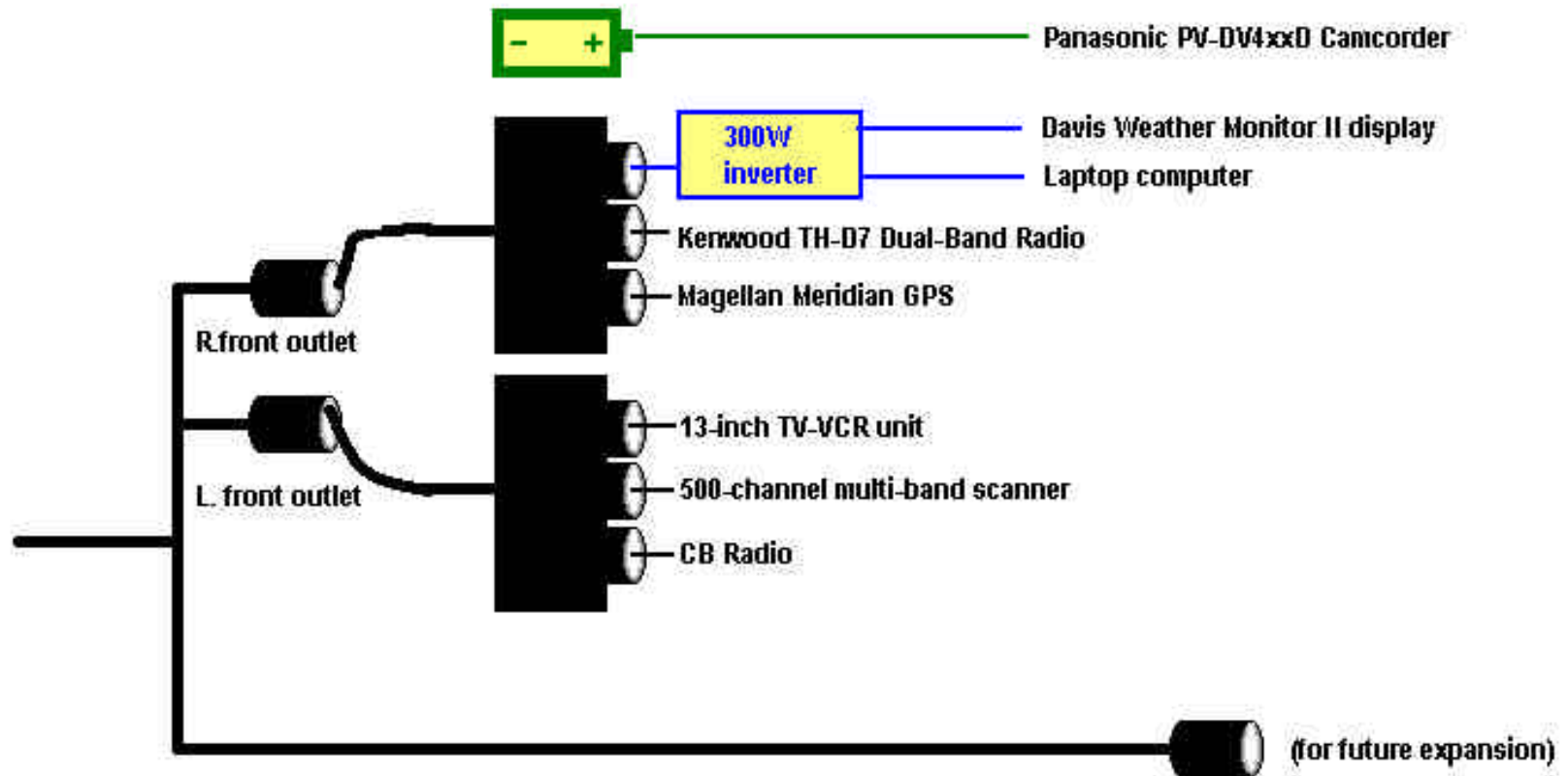


# Van Power Connections



Revised 19 April 2003

Item	Type	Device	Make	Model (Part #)	13.8 vDC		U s e	7.5vDC		U s e	120 vAC		U s e	BATTERY		Type
					Current (A)	Power (W)		Current (A)	Power (W)		Current (A)	Power (W)		Voltage (v)	cap. (mAh)	
1	sink	GPS	Magellan	Meridian Gold										+3.0		2xAA
2	sink	2m radio	Kenwood	TH-D7												prop.
3	sink	Camcorder	Panasonic	PV-DV402D				-1.0	-7.5	-7.5						prop.
4	sink	Camcorder	Panasonic	PV-DV400D				-1.0	-7.5							prop.
5	sink	Display	Davis	Weather Monitor II							-0.0	-1.8	-1.8			
6	sink	CB Radio	Radio Shack	TRC-519												
7	sink	Scanner	Radio Shack	PRO-2067												
8	sink	Laptop	Toshiba	Satellite Pro 4340							-0.6	-72.0				prop.
9	sink	Laptop	Compaq	Presario 1070							-1.2	-144.0				prop.
10	sink	Laptop	Toshiba	Satellite 1755							-1.5	-180.0	-180.0			prop.
11	sink	Laptop	Toshiba	Satellite 200CDS	(NO DC OPTION)											prop.
12	sink	TV/VCR	Sylvania													8XD
13	adapte	Adapter	Radio Shack	(273-1816)	-3.0	-41.4	-41.4	+1.2	+9.0	+9.0						
14	adapte	Adapter	Targus	PA-AA-70W-CWT	-8.0	-110.4	-110.4									
15	adapte	Adapter	Davis	(#7916)												
16	adapte	Adapter	Generic	AH55 [for TH-D7]												
17	adapte	Adapter	Magellan	(PN 730345)												
18	adapte	Inverter	Belkin	F5C400-300W	-36.2	-500.0	-250.0				+4.5	+500.0	+250.0			
19	source	Outlet	Chevy	[Left front outlet]	+20.0	+276.0	+276.0									
20	source	Outlet	Chevy	[Right front outlet]	+20.0	+276.0	+276.0									
21	source	Outlet	Chevy	[Left rear outlet]	+20.0	+276.0										
	<b>TOTAL</b>				+10.9	+176.2	+150.2	+0.2	-6.0	+1.5	+0.6	+102.2	+68.2			